

7/30/2014

# 4' T8 Fluorescent Shoplight

Two Lamps - White or Black Housing  
With reflector

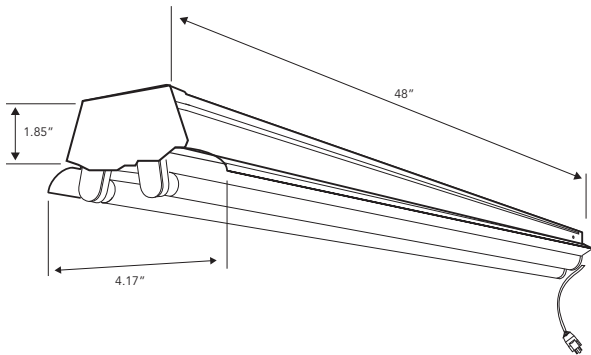
Fluorescent Shoplight



## Applications

- |               |               |
|---------------|---------------|
| Area Lighting | Task Lighting |
| Display Cases | Storage Areas |
| Shop/Sheds    | Utility Areas |

## Dimensions



## Ordering Information

UPC	Model #	Description
08082	FSL4W	4-Ft T8, White Shoplight, 120V, Standard 5ft Cord included, Lamps not included
08083	FSL4B	4-Ft T8, Black Shoplight, 120V, Standard 5ft Cord included, Lamps not included

Project:	
Catalog#:	
Approved by:	

## Description

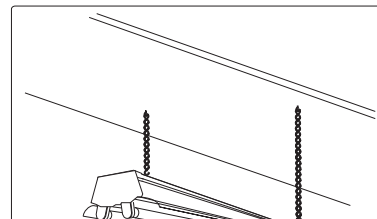
The FSL4 series shoplight comes fully assembled and ready to install. Mounting chain and hardware are included for easy, plug-in operation. This fixture is a perfect task lighting solution for garages, workshops, or storage areas.

## Features

- Durable steel housing
- Energy efficient T8 fluorescent technology
- Requires two 4' T8 fluorescent linear lamps (sold separately)
- 120 Volt operation only
- For use with non-dimmable switches only
- "S" hooks, chain & hanging hardware included
- 5 ft. power cord and plug
- Starting temperature: 60°F

## Mounting

Ceiling Chain Mount (hardware included)



Specifications subject to change without notice.

