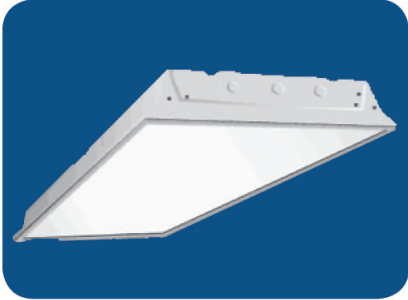


LIMITED QUANTITIES AVAILABLE



Description

The lensed troffer lay-in provides low glare and visual comfort.

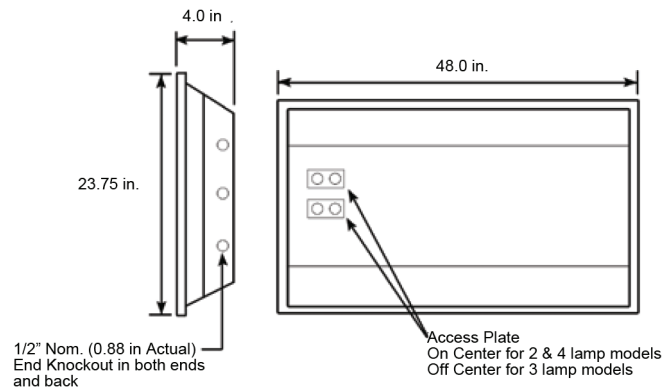
Application

Great for all commercial and industrial buildings requiring general illumination with recessed configurations.

Features

- Heavy duty post-painted steel construction
- High reflectance baked white enamel, with black reveal support rails.
- Wiring knockouts provided on back and end of housing.
- Ballast cover or reflector snaps into place; no tools required for ballast access.
- Lens is held with a hinged steel door frame; frame hinges downward on either side and is held closed by two positive cam latches.
- Access plate to simplify installation.
- Prismatic Acrylic lens

Dimensions



Ordering Information

UPC#	Model#	Description
06302	FL240332DSIMV000140I	2X4 Lensed Troffer Lay-in - 3 lamps, 0.100" P12 Acrylic Lens, Standard BF Electronic Multi-volt Ballast and 3xF32T8/741/ECO/IC (lamps included), 6' Flexible Whip Installed (18 AWG), Individual package
06306	FL240332DSIMV00B140I	2X4 Lensed Troffer Lay-in - 3 lamps, 0.100" P12 Acrylic Lens, Standard BF Electronic Multi-volt Ballast and 3xF32T8/741/ECO/IC (lamps included), with 500 Lumen Emergency Ballast installed, 6' Flexible Whip Installed (18 AWG), Individual package

• Specifications are subject to change without notice.

Lighting for life.

HOWARD
LIGHTING PRODUCTS