

LIMITED QUANTITIES AVAILABLE

Description

The lensed troffer lay-in provides low glare and visual comfort.

Application

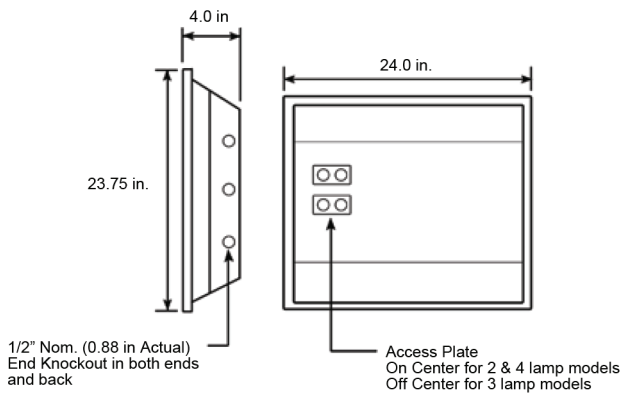
Great for all commercial and industrial buildings requiring general illumination with recessed configurations.

Features

- Heavy duty post-painted steel construction
- High reflectance baked white enamel, with black reveal support rails.
- Wiring knockouts provided on back and end of housing.
- Ballast cover or reflector snaps into place; no tools required for ballast access.
- Lens is held with a hinged steel door frame; frame hinges downward on either side and is held closed by two positive cam latches.
- Access plate to simplify installation.
- Prismatic Acrylic lens



Dimensions



Ordering Information

UPC#	Model#	Description
06313	FL220232ASIMV0000140I	2X2 Lensed Troffer Lay-in - 2 U-bend lamps, 0.100" P12 Acrylic Lens, Uses Standard BF Electronic Multi-volt Ballast and 2xFB32T8 lamps (not included), 6' Flexible Whip Installed (18 AWG), Individual package

• Specifications are subject to change without notice.