

6/20/2015

LED Entry Light
LEL Series
20 Watts; 680 Lumens

| | |
|--------------|--|
| Project: | |
| Catalog#: | |
| Approved by: | |

Features

- Energy Saving
- Comparable to 60W Incandescent
- 50,000+ hour LED lifespan for maintenance-free operation
- Utilizes 120v Photocell to maximize energy savings

Specifications

Housing

- Low-copper, die-cast aluminum housing
- Durable polyester powder coat finish

Lens

- Translucent white opal injected-molded polycarbonate wrap-around lens.

LED

- 20 Watts
- 680 Lumen Output
- 34 Lm/W
- Color temp: 4000K
- LED Lifespan: 50,000+ hours
- Driver: DC 460mA output, constant current supply
- Input voltage: 120-277V 50/60 Hz (wired 120V for photocell)

Mounting

- Bracket fixture mounts to standard junction boxes

Photocell

- Photocell (120v only) to maximize energy savings

Certifications

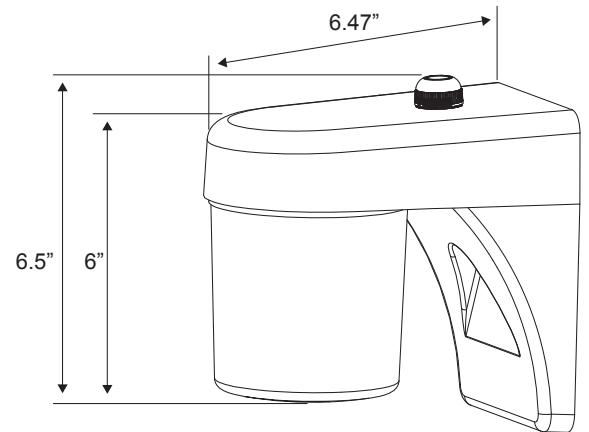
- UL/cUL Listed; suitable for wet locations

Warranty

- 5-Year Warranty

Applications

Ideal for entrances, stairways, walkways, corridors, security, building facades, loading docs, and recreation areas.



| UPC Code | Model # | Input Wattage | Lumens | Driver | Voltage |
|----------|------------|---------------|--------|--------|---------|
| 08329 | LEL-20-120 | 20 | 680 | LED | 120 |

Sample Ordering Number:

Howard LEL-20-120
LED Entry Light
20W (680 Lumens)
4000K
120 volts
includes 120V photocell

PHOTOMETRIC

