

**LED Center Basket**  
Premium Performance



**Features**

- Long-life LEDs provide 120,000 hours of operation with at least 70% of initial lumen output (L70).\*
- Uniform illumination with no visible LED pixelation.
- Universal 120-277 AC voltage (50-60Hz) is standard.
- 0-10vdc dimming capability is standard. The product can dim to 10%.
- Power factor > 0.90.
- Total harmonic distortion < 20%.
- Color rendering index > 80.
- Steel housing and acrylic lens.
- Easy installation in new construction or retrofit. Fits in standard grid ceilings.
- Standard earthquake clips provide secure installation in grid ceilings.
- Standard mounting options include recessed mounting in grid ceilings, or suspended mounting using attached hanging brackets.

\* L70 hours are IES TM-21-11 calculated hours.

Sample Ordering Information

**LCB222540-MV**

2'x2'  
25 Watts  
4,000K Color  
Multi-Volt



Installation  
Instructions



Zip File

Project:	
Catalog#:	
Approved by:	

**Applications**

- |           |         |
|-----------|---------|
| Schools   | Offices |
| Hospitals | Stores  |

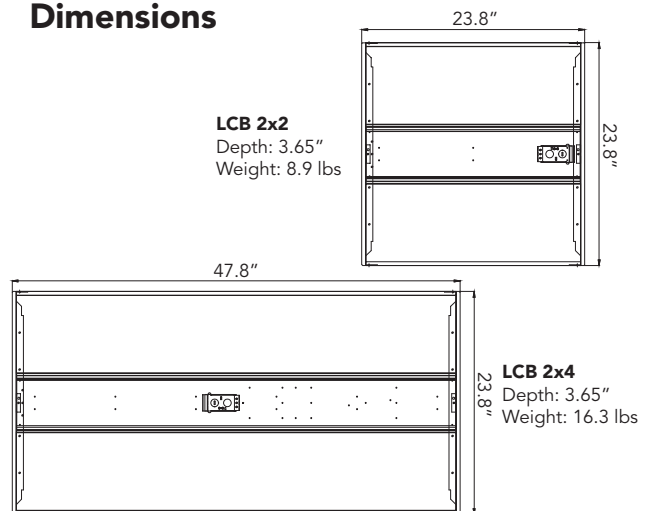
**Description**

The premium-performance LCB is an LED center basket luminaire, which offers industry-leading lumens per watt (LPW). The LCB is designed as a direct replacement for fluorescent luminaires installed in grid ceilings. It is designed to deliver general ambient lighting in a variety of indoor settings, including schools, offices, hospitals and stores, and is the perfect choice for both new construction and retrofits. This high-efficacy luminaire provides long-life and uniform illumination, as well as standard 0-10vdc dimming capability.

**Warranty and Listings**

- UL listed for damp locations and insulated ceilings (IC-rated) for use in ambient temperatures from -20°C to 50°C (-4°F to 122°F).
- Complies with RoHS (Restriction on Hazardous Substances) requirements.
- 5-year warranty of all electronics and housing.

**Dimensions**



**Ordering Information**

Model	Dimensions	Performance	Efficacy (LPW)	Color Temp.	CRI	Input Voltage	Input Current <sub>max</sub> (A)			Power Factor	THD	L <sub>70</sub> Hours
							120V	240V	277V			
<b>LCB222540-MV</b>	2x2	3,400 Lumens, 25 Watts	136	4000K	> 80	120 — 277 VAC 50/60 Hz	0.23	0.12	0.10	> 90%	< 20%	120,000
<b>LCB242540-MV</b>	2x4	3,500 Lumens, 25 Watts	140				0.23	0.12	0.10			
<b>LCB243440-MV</b>		4,590 Lumens, 34 Watts	135				0.31	0.16	0.14			