

2x4 LED Center Basket Premium Performance 40 Watt



Features

- Available in 3000k (warm white), 3500k (warm/neutral white), 4000k (neutral white) and 5000k (cool white) color temperatures.*
- Long-life LEDs provide 81,000 hours of operation with at least 70% of initial lumen output (L70).**
- Uniform illumination with no visible LED pixelation.
- Universal 120-277 AC voltage (50-60Hz) is standard.
- 0-10vdc dimming capability is standard.
- Power factor > 0.90.
- Total harmonic distortion < 20%.
- Color rendering index > 80.
- Steel housing and acrylic lens.
- Easy installation in new construction or retrofit. Fits in standard 2' x 4' grid ceilings.
- Standard earthquake clips provide secure installation in grid ceilings.

* Contact factory for other color temperatures and lumen packages.
** L70 hours are IES TM-21-11 calculated hours.

Sample Ordering Information

LCB-244030-MV

2'x4'

40 Watts

3,000K Color

Multi-Volt

Ordering Information					
Model	Length	Wattage	Color	Input Voltage	Accessory
LCB-	24: (2'x4')	40: (40 Watts)	30: 3000K	-MV: 120 – 277 VAC	LCB-FK24: Flange Mount Kit
			35: 3500K		
			40: 4000K		
			50: 5000K		

Project:	
Catalog#:	
Approved by:	

Applications

- | | |
|-----------|---------|
| Schools | Offices |
| Hospitals | Stores |

Description

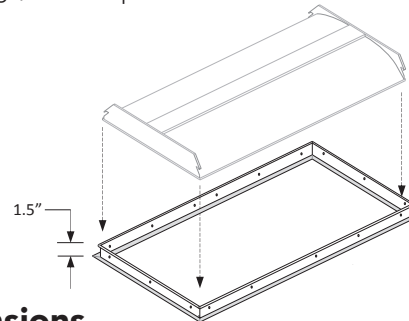
The premium-performance LCB-2440 is a 2' x 4' LED center basket luminaire, which offers industry-leading lumens per watt (LPW). The LCB-2440 is designed as a direct replacement for 2' x 4' fluorescent luminaires installed in grid ceilings. It is designed to deliver general ambient lighting in a variety of indoor settings, including schools, offices, hospitals and stores, and is the perfect choice for both new construction and retrofits. This high-efficacy luminaire provides long-life and uniform illumination, as well as standard 0-10vdc dimming capability.

Warranty and Listings

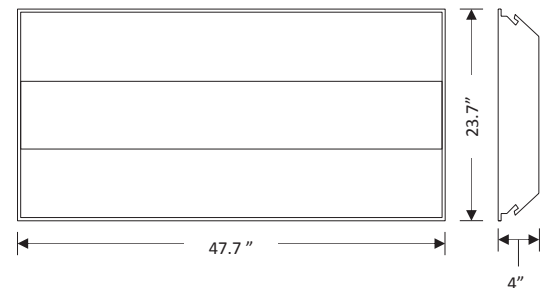
- UL listed for damp locations and insulated ceilings (IC-rated) for use in ambient temperatures from -25°C to 50°C (-13°F to 122°F).
- Complies with RoHS (Restriction on Hazardous Substances) requirements.
- Complies with FCC Part 15, part B.
- Complies with IEEE C.62.41-1991, input transient protection (2.5kV).
- 5-year warranty of all electronics and housing.

Flange Mounting Kit

Flange Mount Kit (LCB-FK24) mounts above plaster or other hard ceilings, and the panel is mounted flush to the ceiling.



Dimensions



Weight: 15.2 lbs.

2x4 LED Center Basket Premium Performance 40 Watt

Project:	
Catalog#:	
Approved by:	

Electrical

Model #	Color Temp.	CRI ¹	Luminaire Lumens	Luminaire Watts	Lumens Per Watt	Input Voltage ²	Input Current (A)			Power Factor	THD ³	L ₇₀ Hours ⁴
							120V	240V	277V			
LCB-244030-MV	3000K	> 80	4,854	39	124	120-277	0.33	0.16	0.14	> 90%	< 20%	81,000
LCB-244035-MV	3500K	> 80	4,854	39	124	120-277	0.33	0.16	0.14	> 90%	< 20%	81,000
LCB-244040-MV	4000K	> 80	4,945	39	126	120-277	0.33	0.16	0.14	> 90%	< 20%	81,000
LCB-244050-MV	5000K	> 80	5,036	39	128	120-277	0.33	0.16	0.14	> 90%	< 20%	81,000

¹Color Rendering Index.

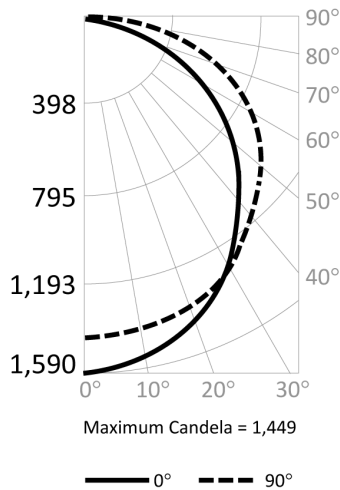
²All 50-60Hz.

³Total Harmonic Distortion.

⁴L₇₀ refers to the number of hours at which lumen output declines to 70% of the initial level. L₇₀ hours are IES TM-21-11 calculated hours

Photometric Data

Model: **LCB-244050-MV (5,036 lumens)**



Candlepower Summary

	0°	90°
0°	1,541	1,541
10°	1,451	1,563
20°	1,402	1,483
30°	1,311	1,343
40°	1,187	1,160
50°	1,034	939
60°	867	695
70°	646	437
80°	246	184
90°	0	0

Zonal Lumen Summary

Zone	Lumens	% Fixture
0° – 10°	153	3.0%
0° – 20°	593	11.8%
0° – 30°	1,265	25.1%
0° – 40°	2,087	41.4%
0° – 50°	2,962	58.8%
0° – 60°	3,790	75.3%
0° – 70°	4,477	88.9%
0° – 80°	4,918	97.7%
0° – 90°	5,036	100.0%
90° – 180°	0	0%
0° – 180°	5,036	100.0%

Cone of Light

