

3/22/2015

LIMITED QUANTITIES AVAILABLE

Vaporproof Incandescent (Wall Mount)

INCAN / 200 - 300 watts

Application

Ideal for non-hazardous industrial uses such as bridges, harbors, manufacturing sites, and tunnels.

Features

- UL listed for wet locations
- Textured gray powdercoat finish
- Tempered clear glass globe
- Porcelain medium-base socket
- Weatherproof junction box included / Lamp not included / Available in 1/2" or 3/4" NPT

Project:	
Catalog#:	
Approved by:	



Incandescent Fixtures

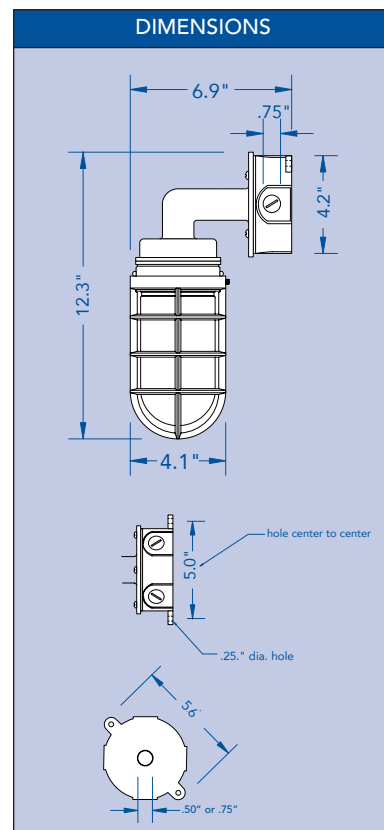
ORDERING INFORMATION

Catalog #	Watts	Volts	ANSI	Lamp Part #
VIW-3/4-200	200	130	N/A	N/A
VIW-1/2-300	300	130	N/A	N/A
VIW-3/4-300	300	130	N/A	N/A

ACCESSORIES (sold separately)

Catalog #	Description
VPREB1	1/2" round electrical box

DIMENSIONS



Specifications subject to change without notice.

