

9/22/2011

Motion Sensor

Applications

For use with residential security lighting

Features

- UL listed for wet locations
- Manual override
- Adjustable settings
- Auto reset
- Photocell

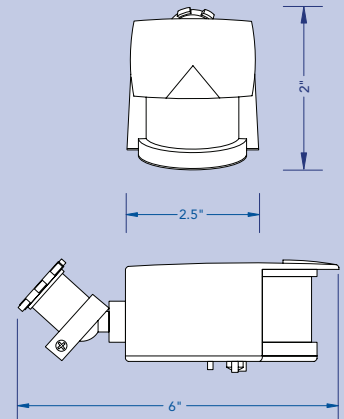
Project:	
Catalog#:	
Approved by:	



ORDERING INFORMATION

Catalog #	Watts	Volts	Detection Area	Color	Lamp Part #
MS-180 BNZ	N/A	120	180	Bronze	N/A
MS-180 WHT	N/A	120	180	White	N/A

DIMENSIONS



PHOTOMETRICS

Incandescent Fixtures

Specifications subject to change without notice.

