

5/2/2017

Limited Quantities Available

Mid-Size Flood

HPS / 35 - 100 watts | PS / 50 - 150 watts | MH / 175 watts

Applications

Great for lighting building facades, displays, signs, or for general security lighting purposes

Features

- Die-cast housing with hinged door frame for easy relamping (lamp included)
- Textured bronze finish with tempered glass lens
- 1/2" adjustable knuckle
- UL listed for wet locations
- EPA = 0.75 sq. ft.; Max. fixture weight = 15 lbs.

Project:	
Catalog#:	
Approved by:	



HID/CFL Fixtures

ORDERING INFORMATION

Catalog #	Watts	Volts †	Ballast	ANSI	Lamp Part #
MSF-35-HPS-120	35 HPS	120	R-NPF	S76	LU35/MED
MSF-50-HPS-120	50 HPS	120	R-NPF	S68	LU50/MED
MSF-70-HPS-120	70 HPS	120	R-NPF	S62	LU70/MED
MSF-70-HPS-4T	70 HPS	4T	HX-HPF	S62	LU70/MED
MSF-100-HPS-120	100 HPS	120	R-NPF	S54	LU100/MED
MSF-50-MH-2T	50 PSMH	2T	HX-HPF	M110	MH50/U/MED
MSF-70-MH-4T	70 PSMH	4T	HX-HPF	M98	MH70/U/MED
MSF-150-PS-4T	150 PSMH	4T	HX-HPF	M102	MH150/U/MED
MSF-175-MH-4T	175 MH	4T	CWA	M57/E	MH175/U
MSF-175-MH-5T	175 MH	5T	CWA	M57/E	MH175/U

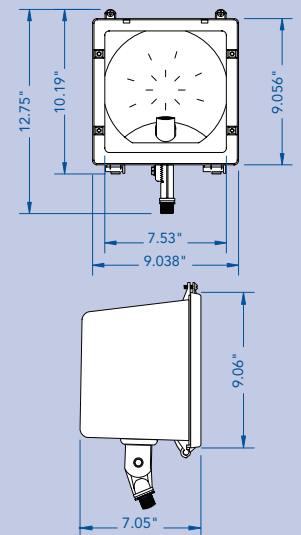
ACCESSORIES (sold separately)

Catalog #	Description
MSFWG	Wire guard with stainless steel construction
MSFGS	Black powder-coat finished glare shield that can be reverse mounted to use as a back cutoff
MSFVG	Clear polycarbonate vandal guard
FLGSTK	HID ground stake with position adjustable stabilizer, die-cast fitting that accepts 1/2" knuckle, and built in wiring compartment

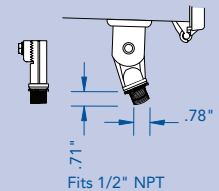
† 2T = 120, 277 volts (pre-wired to 277)
 4T = 120, 208, 240, 277 volts (pre-wired to 277)
 5T = 120, 208, 240, 277, 480 volts (pre-wired to 277)
 120 = 120 volts

Specifications subject to change without notice.

DIMENSIONS



MOUNTING DETAIL



PHOTOMETRICS

150W PSMH @ 15' Mounting Height
& aimed 30° Below Horizontal

