

3/15/2017

Large Deep Wallpack

HPS / 400 watts | PS / 400 watts

Applications

Excellent for lighting parking facilities, entry ways, perimeters, pathways, and underpasses

Features

- Die-cast aluminum housing with hinged door frame (lamp included)
- Textured bronze finish with Borosilicate molded glass lens
- 1/2" conduit access, sides, top, or rear knockouts
- Photo-cell adaptable and UL listed for wet locations

**RAPID SHIP MODELS
AVAILABLE FOR NEXT DAY SHIPMENT**

- LDWP-400-PS-5T

Project:	
Catalog#:	
Approved by:	



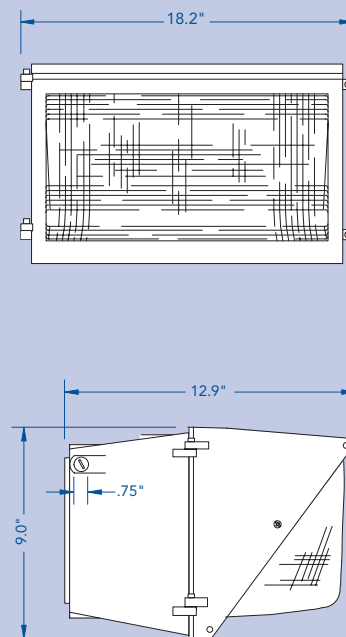
ORDERING INFORMATION

Catalog #	Watts	Volts †	Ballast	ANSI	Lamp Part #
LDWP-400-HPS-5T	400 HPS	5T	CWA	S51	LU400
LDWP-250-PS-4T	250 PS	4T	PS-CWA	M153/E	MH250/HOR/ED28/PS
LDWP-400-PS-4T	400 PS	4T	PS-CWA	M155/E	MH400/BU/PS
LDWP-400-PS-5T	400 PS	5T	PS-CWA	M155/E	MH400/BU/PS

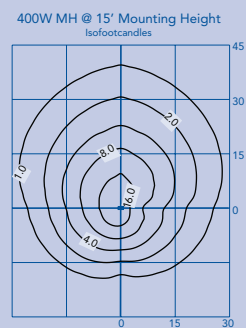
ACCESSORIES (sold separately)	
Catalog #	Description
LWPFC	Full cutoff with textured bronze finish
LWPSC	Side cutoff with textured bronze finish
LWPVG	Clear polycarbonate vandal guard
BPC120	Button photocell - 120v
BPC208/277	Button photocell - 208 or 277v

***Limited Quantities Available**

DIMENSIONS



PHOTOMETRICS



† 4T = 120, 208, 240, 277 volts (pre-wired to 277)
5T = 120, 208, 240, 277, 480 volts (pre-wired to 277)

Circle E logo indicates that this product complies with federal energy efficiency requirements.



Specifications subject to change without notice.

HID/CFL Fixtures