

7/7/2014

**New York Approved Incandescent Emergency Light**

Emergency Light

Project:	
Catalog#:	
Approved by:	

**Features**

- NY approved housing
- UL listed for damp locations & meets UL924, NFPA 101 Life Safety Code, NEC, OSHA, Local and State Codes

**Electrical**

- Dual 120/277 voltage.
- 12V model offers 14W of remote capacity.
- Charge rate/power "ON" LED indicator light and push-to-test switch for mandated code compliance testing.
- LVD (low voltage disconnect) prevents battery from deep discharge.
- 6V maintenance-free, rechargeable sealed lead acid battery.
- Internal solid-state transfer switch automatically connects the internal battery to lamp heads for minimum 90-minute emergency illumination.
- Fully automatic solid-state, two-rate charger initiates battery charging to recharge a discharged battery in 24 hours.

**Illumination**

- Adjustable, glare-free PAR-Type lamp heads.
- Field installed third lamp head included with the 27W and 50W models.
- 6V 18W model offers 2-9W lamps, standard.
- 6V 27W model offers 3-9W lamps, standard.
- 12V model offers 12W lamps, standard.
- 12V 50W model offers 3-12W lamps, standard.

**Housing**

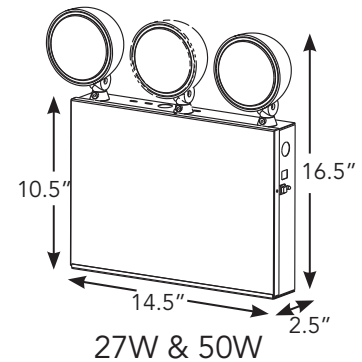
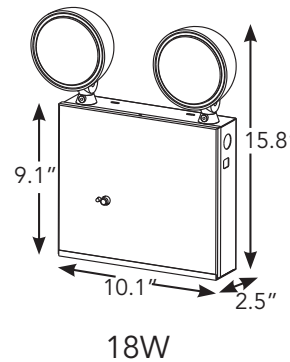
- Durable powder-coated 20 gauge steel construction in white or black finish.
- Injection-molded engineering grade high-impact thermoplastic heads.

**Housing**

- Knockouts on the back for wall mount.
- Side and top knockouts for conduit feed applications.



**Dimensions**



**ORDERING INFORMATION**

Catalog Number	Finish	Number of Lamps/Wattage	Voltage
HL0245NY18*	Blank - White	2x9W	6V
HL0245NY27*	B - Black	3x9W	6V
HL0245NY50**		3x12W	12V

\* Available in 6V only  
\*\*Available in 12V only

example model# HL0245NY18

Specifications subject to change without notice.

