

9/8/2011

Wet Location LED Exit Sign

Project:	
Catalog#:	
Approved by:	

Features

- UL listed for wet locations & meets UL924, NFPA 101 Life Safety Code, NEC, OSHA, Local and State Codes
- Fully gasketed, corrosion-resistant housing
- Energy efficient LED technology in EXIT sign
- EZ snap-out chevron directional indicators

Electrical

- Dual 120V/277V voltage
- Charge rate/power "ON" LED indicator light and push-to-test switch for mandated code compliance testing
- LVD (low voltage disconnect) prevents battery from deep discharge
- Long-life, maintenance-free, rechargeable NiCd battery
- Internal solid-state transfer switch automatically connects the internal battery to LED Board for minimum 90-minute emergency illumination
- Fully automatic solid-state, two-rate charger initiates battery charging to recharge a discharged battery in 24 hours.

Illumination

- Ultra bright, energy efficient, long-lasting Red or Green LED (exit sign illumination)
- 6" EXIT letters

Housing

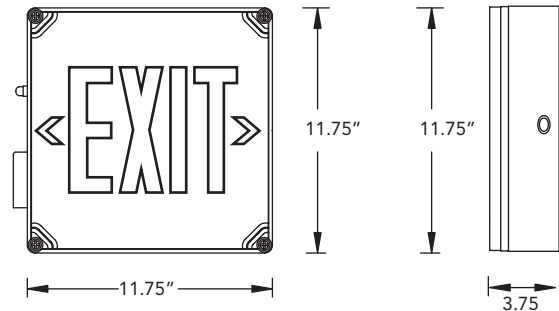
- Corrosion-resistant, polycarbonate UV-stabilized housing
- Removable knockout directional indicators
- Single face only
- Polycarbonate face plate



Mounting

- Knockouts for back mounting

Dimensions



ORDERING INFORMATION

Model Family #	Operation	Letter Color	Option	
HL0226	Blank - AC Only B - Battery Backup	R - Red G - Green	HTR - Internal Heater Blank - No Heater	SC
Example model# HL0226BRSC				

Specifications subject to change without notice.

