

3/13/2012

**Wet Location LED Exit Sign**

Project:	
Catalog#:	
Approved by:	

**Features**

- UL listed for wet locations & meets UL924, NFPA 101 Life Safety Code, NEC, OSHA, Local and State Codes
- Fully gasketed, corrosion-resistant housing
- Energy efficient LED technology in EXIT sign
- EZ snap-out chevron directional indicators

**Electrical**

- Dual 120V/277V voltage
- Maintenance-free, 6V sealed Ni-Cad, provides 90 minutes of emergency power. (Battery backup version only)
- Listed for wet location applications (0° C - 40° C)
- Test switch and status indicator included

**Illumination**

- Ultra bright, energy efficient, long-lasting Red or Green LED (exit sign illumination)
- 6" EXIT letters

**Housing**

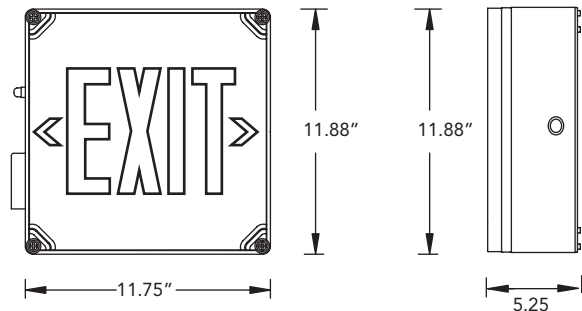
- Corrosion-resistant, thermoplastic housing
- Removable knockout directional indicators
- Sealed and gasketed housing
- Polycarbonate face plate
- Integral breather vent
- Single face



**Mounting**

- Surface mount
- Mounting screws and hardware included

**Dimensions**



**ORDERING INFORMATION**

Model Family #	Operation	Letter Color
HL0226	Blank - AC Only B - Battery Backup	R - Red G - Green
Example model# HL0226 B R		

Specifications subject to change without notice.

