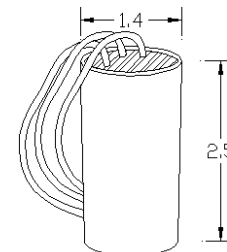
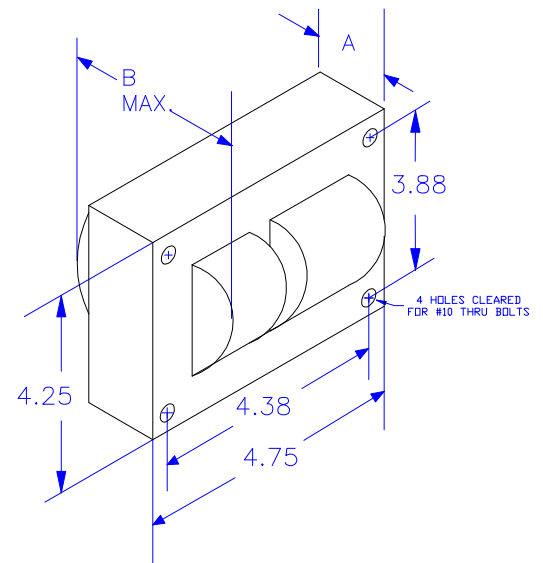
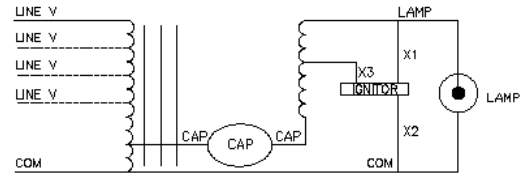


Input Volts		120	208	240	277
Circuit Type	CWA				
Power Factor	> 90%				
Regulation					
Line Volts	±10%				
Lamp Watts	Within Trapezoid				
Line Current (Amps)					
Operating		2.5	1.5	1.3	1.1
Open Circuit		1.3	0.8	0.7	0.6
Starting		1.6	0.9	0.8	0.7
Recommended Fuse		7	4	4	3
UL Temperature Ratings					
Insulation Class	H(180°C)				
Coil Temperature Code		B	B	B	B
Benchtop Coil Rise Primary		< 80	< 80	< 80	< 80
Benchtop Coil Rise Secondary		< 80	< 80	< 80	< 80
Input Watts		290	290	290	290
NOM Open Circuit Volts	200				
Current Crest Factor	1.62				
Input Voltage at Lamp Dropout		90	156	180	208
Min Ambient Starting Temp.	-40F -40°C				
High Potential Test (Volts)					
1 Minute	1554				
1 Second	2000				
Open Circuit Voltage Test (Volts)					
Open Circuit Voltage	165 - 205				
Input Current	min	1.25	0.7	0.65	0.55
	max	1.95	1.1	1.0	0.85
Short Circuit Current Test (Amps)					
Secondary Current	3.6 - 4.4				
Input Current	min	1.10	0.65	0.55	0.50
	max	1.7	1.0	0.85	0.75
Core and Coil Specifications					
Dimension A"	1.80				
Dimension B"	3.5				
Weight (lbs.)	11				
Lead Lengths (in)	U-TAB				
Capacitor Specifications					
Microfarads	35				
Volts (min.)	240				
	Oval OIL Filled DRY Film				
Case Size (in.)	1.75 1.8				
Height (in.)	3.87 4.7				
Temp Rating °C	90 100				
Starter Specifications					
Model Number	ST2000				
BTL	5				
Temp Rating °C	105				

Wiring Diagram



Rev. Date: 9/28/2010

Test Ref.: Verification

Specifications subject to change without notice.

Howard Industries, Inc. Ballast Products Division P.O. Box 1590 Laurel, MS 39441

Phone: 1-800-956-3456

Fax: (601) 422-1652

www.Howard-Lighting.com