

7/11/2012

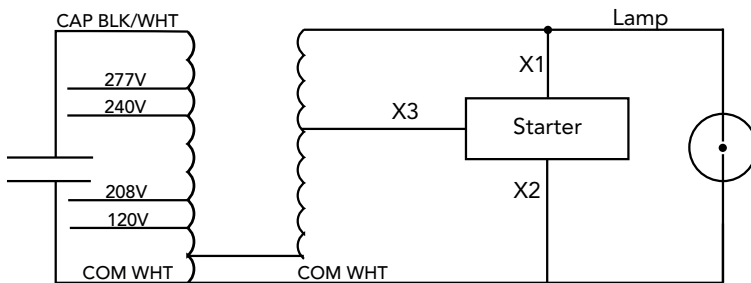
**70 Watt S62 60Hz  
High Pressure Sodium**

Project:	
Catalog#:	
Approved by:	

Input Volts (60 hz)	120	208	240	277
Input Watts	91	91	91	91
Approx Line Current (Amps)*	0.8	0.5	0.4	0.3
Circuit Type	HXH - High Power Factor			
ANSI	S62			
Insulation Class	Class H			
Power Factor	> 90%			
Regulation	Line Volts: ±5% Lamp Watts: ±10%			
Min. Ambient Starting Temp.	-20°F/-30°C			
High Potential Test (Volts)	1 Minute: 2000 1 Second: 2500			
Lead Lengths (inches)	12			
UL Temperature Ratings*	1029A			
Capacitor*	7.0/280v Min. Included in kit.			
Starter/Ignitor	ST2001A. Included in kit			

\* See Ballast Label for exact values and additional information

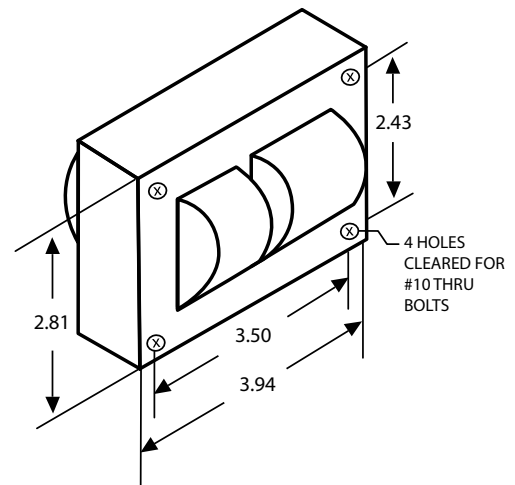
**WIRING DIAGRAM**



**HID Ballast Kit**

- Ballast
- Capacitor
- Starter
- Mounting Bracket

**DIMENSIONAL DRAWING**



Specifications subject to change without notice.



High Intensity Discharge Ballasts