

2/4/2013

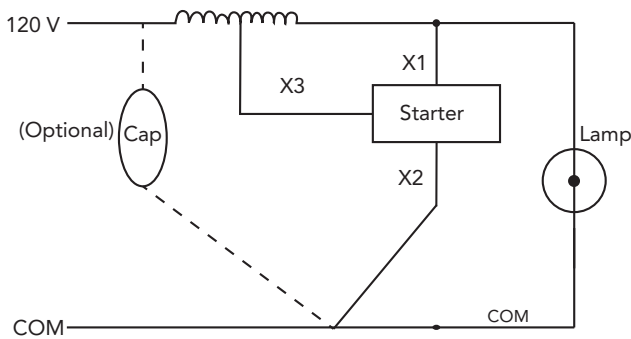
**35 Watt S76 60Hz
High Pressure Sodium**

Project:	
Catalog#:	
Approved by:	

Input Volts (60 hz)	120
Input Watts	42
Approx. Line Current (Amps)*	0.83
Circuit Type	RXN - Reactor Normal Power Factor
ANSI	S76
Insulation Class	Class H
Power Factor	> 90%
Regulation	Line Volts: $\pm 5\%$ Lamp Watts: $\pm 10\%$
Min. Ambient Starting Temp.	-40°F/-40°C
High Potential Test (Volts)	1 Minute: 1240 1 Second: 1490
Lead Lengths (inches)	12
UL Temperature Ratings*	1029A
Capacitor	Not included (RXH kits only)
Starter/Ignitor	ST2001. Included in kit.

* See Ballast Label for exact values and additional information

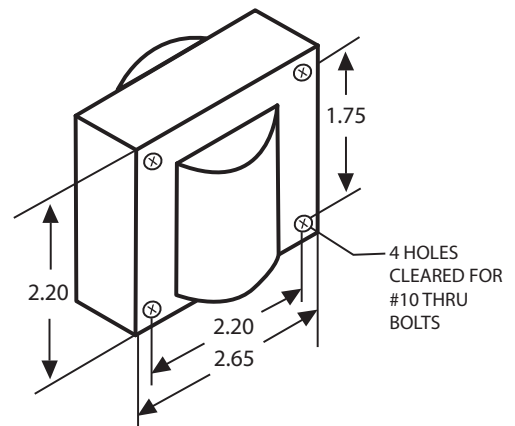
WIRING DIAGRAM



HID Ballast Kit

- Ballast
- Starter
- Mounting Bracket

DIMENSIONAL DRAWING



Specifications subject to change without notice.



High Intensity Discharge Ballasts