

10/24/2012

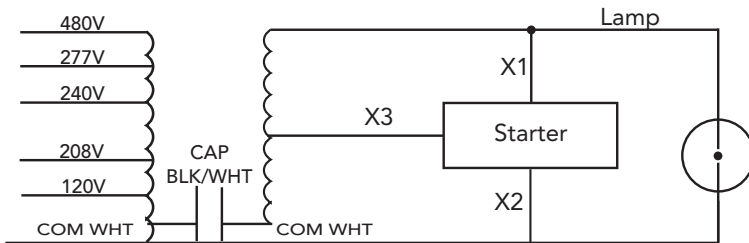
**1000 Watt S52 60Hz  
High Pressure Sodium**

Project:	
Catalog#:	
Approved by:	

Input Volts (60 hz)	120	208	240	277	480
Input Watts	1125	1072	1126	1133	1127
Approx Line Current (Amps)*	9.3	5.2	4.6	3.9	2.3
Circuit Type	CWA				
ANSI	S52				
Insulation Class	Class H				
Power Factor	> 90%				
Regulation	Line Volts: ±10% Lamp Watts: ±10%				
Min. Ambient Starting Temp.	-40°F/-40°C				
High Potential Test (Volts)	1 Minute: 2000 1 Second: 2400				
Lead Lengths (inches)	12				
UL Temperature Ratings*	1029D				
Capacitor*	26.0/525v Min. Included in kit.				
Starter/Ignitor	ST2002. Included in kit				

\* See Ballast Label for exact values and additional information

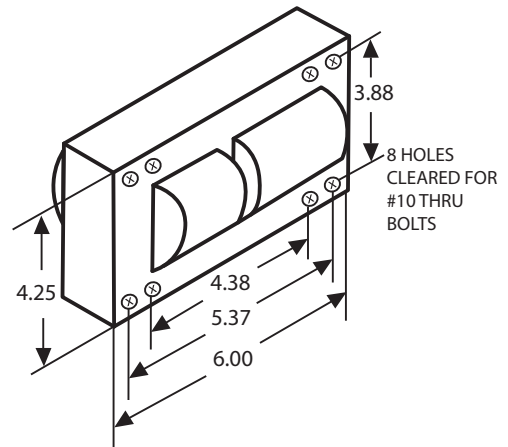
**WIRING DIAGRAM**



**HID Ballast Kit**

- Ballast
- Capacitor
- Starter
- Mounting Bracket

**DIMENSIONAL DRAWING**



Specifications subject to change without notice.



High Intensity Discharge Ballasts