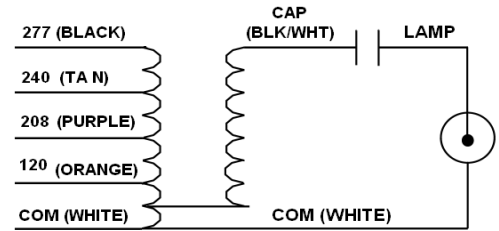
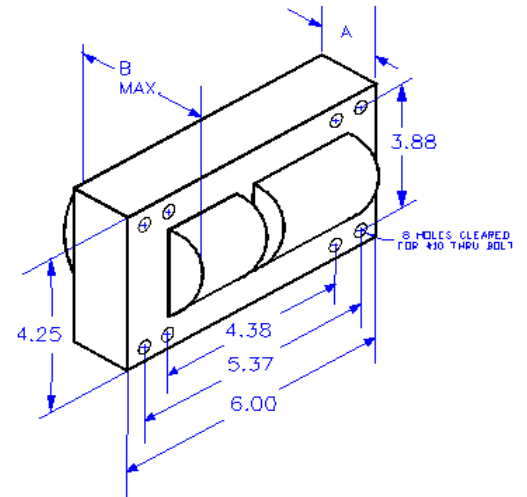


Input Volts		120	208	240	277
Circuit Type	CWA				
Power Factor	> 90%				
Regulation					
Line Volts	+ / - 10%				
Lamp Watts	+12% -12%				
Line Current (Amps)					
Operating		13.4	7.75	6.70	5.80
Open Circuit		6.30	3.65	3.15	2.75
Starting		11.3	6.50	5.65	4.90
Recommended Fuse		30	20	15	15
UL Temperature Ratings					
Insulation Class	H(180C)				
Coil Temperature Code		G	E	E	E
Benchtop Coil Rise		< 105C	< 95C	< 95C	< 95C
Input Watts		1605	1605	1605	1605
Nominal Open Circuit Volts	440				
Current Crest Factor	1.6				
Input Voltage at Lamp Dropout		80	140	160	185
Min. Ambient Starting Temp.	-20F -30C				
High Potential Test (Volts)					
1 Minute	2000				
1 Second	2500				
Open Circuit Voltage Test (Volts)					
Open Circuit Voltage	385 - 475				
Input Current	min	4.8	2.7	2.4	2.1
	max	7.9	4.6	3.9	3.4
Short Circuit Current Test (Amps)					
Secondary Current	7.30 - 9.00				
Input Current	min	9.9	5.7	5.0	4.3
	max	12.1	7.1	6.1	5.3
Core and Coil Specifications					
Dimension "A"	4.1				
Dimension "B"	6.1				
Weight (lbs.)	31.0				
Lead Lengths (in.)	12				
Capacitor Specifications					
Microfarads	32				
Volts (min.)	525				
	Oval OIL				
Case Size (in.)	2 X 3.75				
Height (in.)	4				
Temp Rating - C	100				
Starter Specifications					
HI Model No.	Not Required				
BTL					
Temp Rating (C)					

Wiring Diagram



Dimensional Diagram



Regulatory



RoHS

Rev. Date: 3/1/2013
Pt. Ref.: 1093-910374-XXX

Test Ref.: Validation
PRI: Cu SEC: Cu

Specifications subject to change without notice.