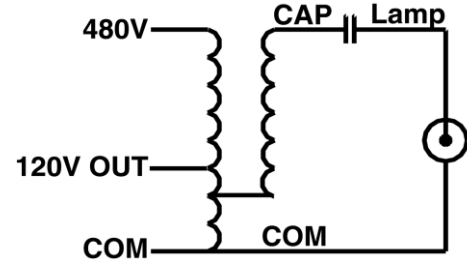
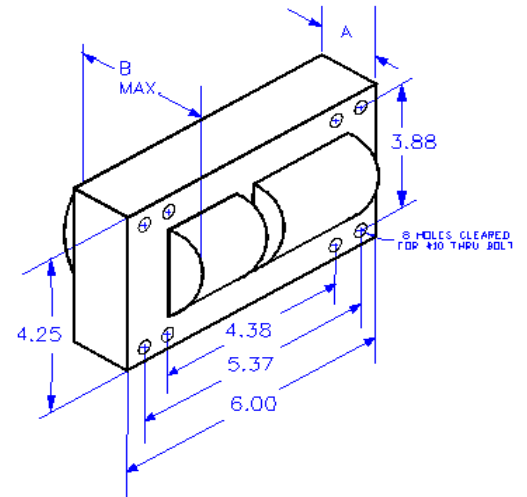


Input Volts	480			
Circuit Type	CWA			
Power Factor	> 90%			
Regulation				
Line Volts	+ / - 10%			
Lamp Watts	+12% -12%			
Line Current (Amps)				
Operating	3.40			
Open Circuit	1.65			
Starting	3.00			
Recommended Fuse	10			
UL Temperature Ratings				
Insulation Class	H(180C)			
Coil Temperature Code	E			
Benchtop Coil Rise	< 95C			
Input Watts	1625			
Nominal Open Circuit Volts	450			
Current Crest Factor	1.6			
Input Voltage at Lamp Dropout	320			
Min. Ambient Starting Temp.	-20F -30C			
High Potential Test (Volts)				
1 Minute	2000			
1 Second	2400			
Open Circuit Voltage Test (Volts)				
Open Circuit Voltage	405 - 495			
Input Current	min 1.3 max 2.1			
Short Circuit Current Test (Amps)				
Secondary Current	7.2 - 8.8			
Input Current	min 2.4 max 3.6			
Core and Coil Specifications				
Dimension "A"	4.2			
Dimension "B"	6.2			
Weight (lbs.)	31.0			
Lead Lengths (in.)	12			
Capacitor Specifications				
Microfarads	32			
Volts (min.)	525			
	Oval OIL			
Case Size (in.)	2 X 3.75			
Height (in.)	4			
Temp Rating - C	100			
Starter Specifications				
HI Model No.	Not Required			
BTL				
Temp Rating (C)				

Wiring Diagram



Dimensional Diagram



Regulatory



RoHS

Rev. Date: 3/25/2013
Pt. Ref.: 1093-910375-XXX

Test Ref.: Validation
PRI: Cu SEC: Cu

Specifications subject to change without notice.