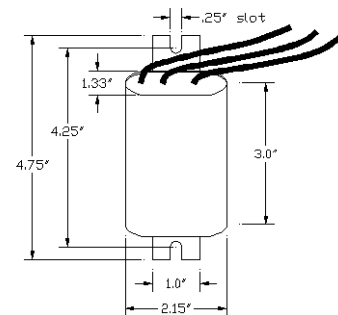
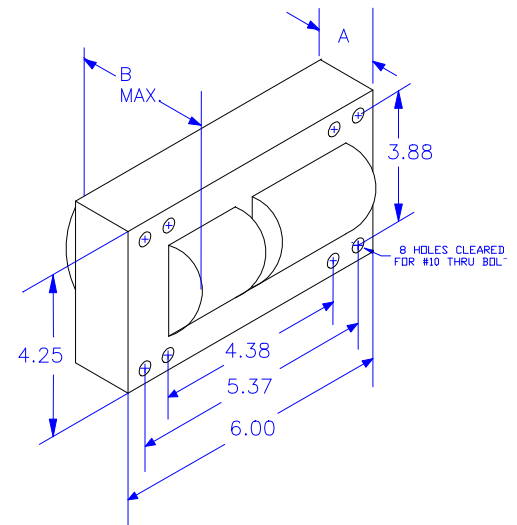
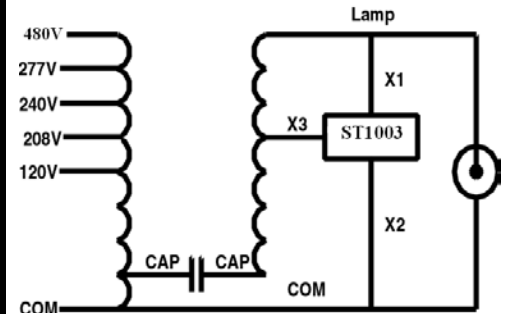


<b>Input Volts</b>		120	208	240	277	480
<b>Circuit Type</b>	PS-CWA					
<b>Power Factor</b>	0.96					
<b>Regulation</b>						
Line Volts	±10					
Lamp Watts	- 10 % + 10 %					
<b>Line Current (Amps)</b>						
Operating		7.0	4.0	3.5	3.0	1.7
Open Circuit		4.8	2.9	2.5	2.2	1.2
Starting		3.9	2.2	1.9	1.7	1.0
Recommended Fuse		15	9	8	7	4
<b>UL Temperature Ratings</b>						
Insulation Class	H(180°C)					
Coil Temperature Code		1029B	1029C	1029C	1029C	1029C
Benchtop Coil Rise Primary		75				77
Benchtop Coil Rise Secondary		79				82
<b>Input Watts</b>		823	820	820	825	821
<b>NOM Open Circuit Volts</b>	355					
<b>Current Crest Factor</b>	1.62					
<b>Input Voltage at Lamp Dropout</b>		60	104	120	140	240
<b>Min Ambient Starting Temp.</b>	-20F -30°C					
<b>High Potential Test (Volts)</b>						
1 Minute	2000					
1 Second	2400					
<b>Open Circuit Voltage Test (Volts)</b>						
Open Circuit Voltage	325 - 395					
Input Current		min 4.4 max 7.4	min 2.5 max 4.1	min 2.2 max 3.7	min 1.9 max 3.2	min 1.1 max 1.9
<b>Short Circuit Current Test (Amps)</b>						
Secondary Current	4.7 - 5.8					
Input Current		min 2.7 max 4.8	min 1.8 max 2.7	min 1.4 max 2.3	min 1.2 max 2.0	min 0.7 max 1.1
<b>Core and Coil Specifications</b>						
Dimension A"	2.8					
Dimension B"	5.5					
Weight (lbs.)	19.3					
Lead Lengths (in)	12					
<b>Capacitor Specifications</b>						
Microfarads	28					
Volts (min.)	400					
<b>Oval OIL Filled DRY Film</b>						
Case Size (in.)	1.75 tba					
Height (in.)	3.88					
Temp Rating °C	90					
<b>Starter Specifications</b>						
Model Number	ST1003					
BTL	10					
Temp Rating °C	105					

Wiring Diagram Number  
1091-912000-003



1093-910334-\_\_\_ Rev. Date: 5/13/2011

Test Ref.: Validation

Prolonged operation (a matter of weeks) with a lamp that does not start will eventually cause ballast to fail. The best practice is to replace failed lamps to prolong ballast life. In situations where lamp maintenance is not practical, ask about incorporating Howard's Starter Stopper, to reduce the stress on the ballast when the lamp reaches end of life and fails to start.

**Specifications subject to change without notice.**

**Howard Industries, Inc. Ballast Products Division P.O. Box 1590 Laurel, MS 39441**

**Phone: 1-800-956-3456**

**Fax: (601) 422-1652**

**www.howardlightingproducts.com**