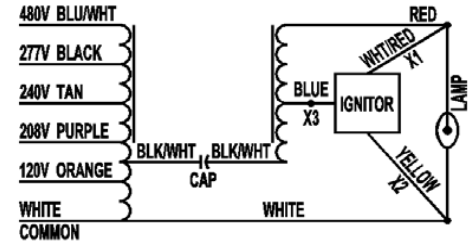


Input Volts		120	208	240	277	480
Circuit Type	CWA					
Power Factor	> 90%					
Regulation						
Line Volts	+ / - 10%					
Lamp Watts	+10% -10%					
Line Current (Amps)						
Operating		3.10	1.80	1.55	1.35	0.80
Open Circuit		1.60	0.95	0.80	0.75	0.40
Starting		2.60	1.50	1.35	1.15	0.65
Recommended Fuse		8	5	4	4	3
UL Temperature Ratings						
Insulation Class	H(180C)					
Coil Temperature Code		B	B	B	C	A
Benchtop Coil Rise		< 80C	< 80C	< 80C	< 85C	< 75C
Input Watts		357	357	357	357	357
Nominal Open Circuit Volts	280					
Current Crest Factor	1.6					
Input Voltage at Lamp Dropout		70	120	140	155	300
Min. Ambient Starting Temp.	-20F -30C					
High Potential Test (Volts)						
1 Minute	2000					
1 Second	2400					
Open Circuit Voltage Test (Volts)						
Open Circuit Voltage	250 - 305					
Input Current	min	1.2	0.7	0.6	0.5	0.3
	max	2.0	1.2	1.0	0.9	0.5
Short Circuit Current Test (Amps)						
Secondary Current	3.05 - 3.70					
Input Current	min	2.0	1.2	1.0	0.9	0.5
	max	3.1	1.8	1.5	1.4	0.8
Core and Coil Specifications						
Dimension "A"	1.9					
Dimension "B"	4.1					
Weight (lbs.)	12.0					
Lead Lengths (in.)	12					
Capacitor Specifications						
Microfarads	22					
Volts (min.)	330					
	Round DRY					
Case Size (in.)	1.6					
Height (in.)	3.7					
Temp Rating - C	100					
Starter Specifications						
Model No	ST1001/BVS041					
BTL	2-FT					
Temp Rating (.C)	105					

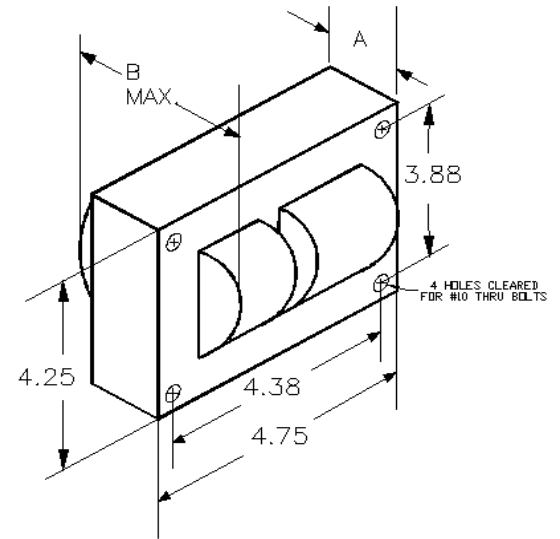
Wiring Diagram



Starter BVS041: X1 - Red/White
X2 - Yellow

Starter ST1001: X1- Red, X2 - White

Dimensional Diagram



Regulatory



RoHS

Rev. Date: 12/21/2016
Pt. Ref.: 1093-910395-XXX

Test Ref.: Validation

Specifications subject to change without notice.