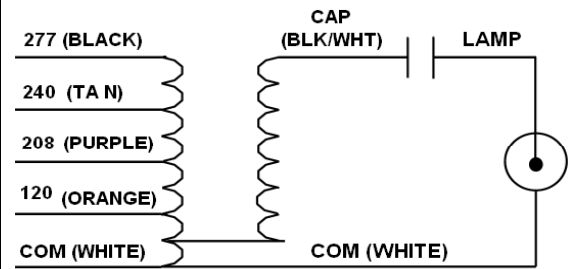
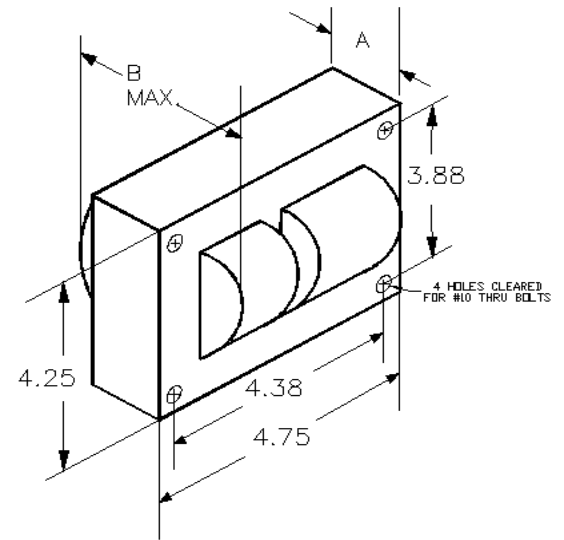


Input Volts		120	208	240	277
Circuit Type	CWA				
Power Factor	> 90%				
Regulation					
Line Volts	+ / - 10%				
Lamp Watts	+8% -8%				
Line Current (Amps)					
Operating		2.60	1.50	1.30	1.15
Open Circuit		2.50	1.45	1.30	1.10
Starting		1.85	1.10	0.90	0.80
Recommended Fuse		7	4	4	3
UL Temperature Ratings					
Insulation Class	H(180C)				
Coil Temperature Code		A	A	A	A
Benchtop Coil Rise		< 75C	< 75C	< 75C	< 75C
Input Watts		290	290	290	290
Nominal Open Circuit Volts	305				
Current Crest Factor	1.65				
Input Voltage at Lamp Dropout		60	100	120	130
Min. Ambient Starting Temp.	-20F -30C				
High Potential Test (Volts)					
1 Minute	1650				
1 Second	2000				
Open Circuit Voltage Test (Volts)					
Open Circuit Voltage	275 - 340				
Input Current	min	1.5	0.9	0.8	0.65
	max	2.5	1.4	1.3	1.1
Short Circuit Current Test (Amps)					
Secondary Current	2.20 - 2.70				
Input Current	min	1.3	0.8	0.7	0.6
	max	2.1	1.3	1.1	1.0
Core and Coil Specifications					
Dimension "A"	1.5				
Dimension "B"	3.3				
Weight (lbs.)	8.3				
Lead Lengths (in.)	12				
Capacitor Specifications					
Microfarads	15				
Volts (min.)	400				
	Round DRY				
Case Size (in.)	3.68				
Height (in.)	1.8				
Temp Rating - C	100				
Starter Specifications					
HI Model No.	NOT USED				
BTL	N/A				
Temp Rating (C)	N/A				

Wiring Diagram



Dimensional Diagram



Regulatory



RoHS

Rev. Date: 11/9/2011
Pt. Ref.: 1093-910346-XXX

Test Ref.: Validation

Specifications subject to change without notice.