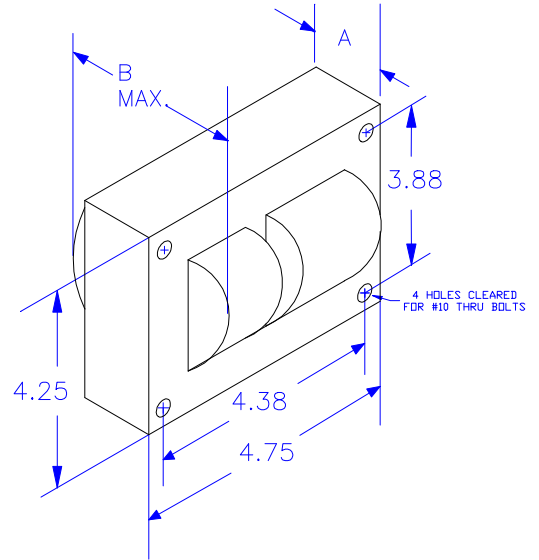
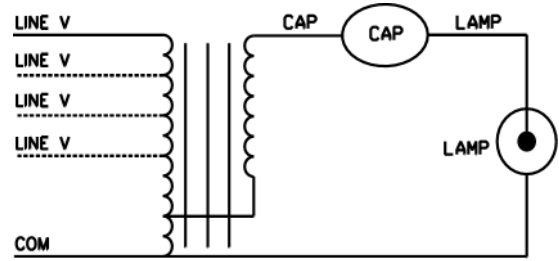


Input Volts		120	208	240	277
Circuit Type	CWA				
Power Factor	>90%				
Regulation					
Line Volts	± 10 %				
Lamp Watts	- 10 % + 10 %				
Line Current (Amps)					
Operating		2.7	1.6	1.3	1.2
Open Circuit		2.3	1.4	1.2	1.0
Starting		2.4	1.4	1.2	1.1
Recommended Fuse		8	5	4	4
UL Temperature Ratings					
Insulation Class	H (180°C)				
Coil Temperature Code	E	E	E	E	E
Benchtop Coil Rise Primary	<120	<120	<120	<120	<120
Benchtop Coil Rise Secondary	<120	<120	<120	<120	<120
Input Watts		272	272	272	272
NOM Open Circuit Volts	310				
Current Crest Factor	1.68				
Input Voltage at Lamp Dropout		60	104	120	138
Min Ambient Starting Temp.	-20F -30°C				
High Potential Test (Volts)					
1 Minute	1650				
1 Second	2000				
Open Circuit Voltage Test (Volts)					
Open Circuit Voltage	280 - 340				
Input Current	min	1.3	0.8	0.7	0.6
	max	2.4	1.4	1.2	1.1
Short Circuit Current Test (Amps)					
Secondary Current	2.25 - 2.75				
Input Current	min	1.7	1.0	0.9	0.8
	max	2.5	1.6	1.3	1.2
Core and Coil Specifications					
Dimension A"	1.70				
Dimension B"	3.63				
Weight (lbs.)	9				
Lead Lengths (in)	12				
Capacitor Specifications					
Microfarads	15				
Volts (min.)	400				
	Oval OIL Filled	DRY Film			
Case Size (in.)	1.75	1.8			
Height (in.)	2.9	4.2			
Temp Rating °C	90	100			
Starter Specifications					
Model Number	Not required				
BTL	-				
Temp Rating °C	-				

Wiring Diagram



Rev. Date: 7/27/2009

Test Ref.: Validation

Specifications subject to change without notice.

Howard Industries, Inc. Ballast Products Division P.O. Box 1590 Laurel, MS 39441
Phone: 1-800-956-3456 Fax: (601) 422-1652 www.howardlightingproducts.com