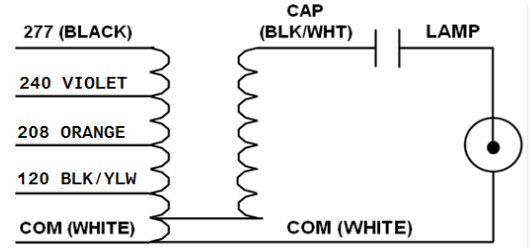
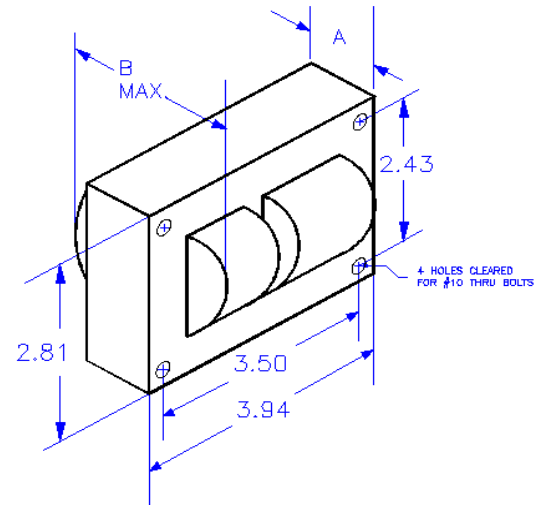


Input Volts		120	208	240	277
Circuit Type	CWA				
Power Factor	> 90%				
Regulation					
Line Volts	+ / - 10%				
Lamp Watts	+8% -8%				
Line Current (Amps)					
Operating		1.9	1.1	0.95	0.82
Open Circuit		1.6	0.9	0.8	0.7
Starting		1.3	0.7	0.6	0.5
Recommended Fuse		5	3	3	3
UL Temperature Ratings					
Insulation Class	H(180C)				
Coil Temperature Code		B	C	C	C
Benchtop Coil Rise		< 80C	< 85C	< 85C	< 85C
Input Watts		210	210	210	210
Nominal Open Circuit Volts	300				
Current Crest Factor	1.65				
Input Voltage at Lamp Dropout		65	115	130	150
Min. Ambient Starting Temp.	-20F -30C				
High Potential Test (Volts)					
1 Minute	2000				
1 Second	2400				
Open Circuit Voltage Test (Volts)					
Open Circuit Voltage	250 - 350				
Input Current	min	1.20	0.70	0.60	0.50
	max	3.00	1.15	1.00	0.90
Short Circuit Current Test (Amps)					
Secondary Current	1.5 - 2.5				
Input Current	min	0.6	0.4	0.3	0.3
	max	1.8	1.2	1.0	0.9
Core and Coil Specifications					
Dimension "A"	2.4				
Dimension "B"	3.8				
Weight (lbs.)	7				
Lead Lengths (in.)	12				
Capacitor Specifications					
Microfarads	10				
Volts (min.)	400				
	Round DRY				
Case Size (in.)	1.8				
Height (in.)	3.2				
Temp Rating - C	100				
Starter Specifications					
HI Model No.	NOT USED				
BTL	N/A				
Temp Rating (C)	N/A				

Wiring Diagram



Dimensional Diagram



Regulatory



RoHS

Rev. Date: 8/8/2012
Pt. Ref.: 1093-910372-XXX

Test Ref.: Validation

Specifications subject to change without notice.