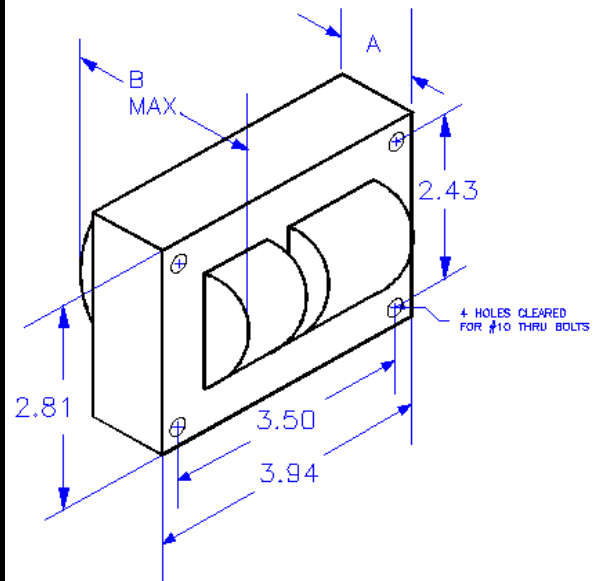
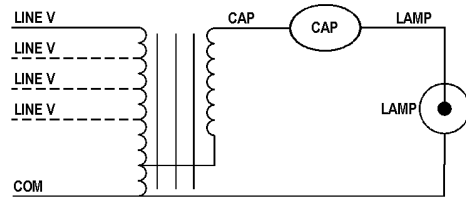


Input Volts		120	208	240	277
Circuit Type	CWA				
Power Factor	0.96				
Regulation					
Line Volts	± 10 %				
Lamp Watts	- 5 % + 8 %				
Line Current (Amps)					
Operating		1.8	1.0	0.9	0.8
Open Circuit		1.8	1.1	0.9	0.8
Starting		1.2	0.7	0.6	0.5
Recommended Fuse		5	3	3	2
UL Temperature Ratings					
Insulation Class	H (180°C)				
Coil Temperature Code	D	D	D	D	D
Benchtop Coil Rise Primary	< 90	< 90	< 90	< 90	< 90
Benchtop Coil Rise Secondary	< 90	< 90	< 90	< 90	< 90
Input Watts		210	210	210	210
NOM Open Circuit Volts	305				
Current Crest Factor	1.63				
Input Voltage at Lamp Dropout		60	104	120	138
Min Ambient Starting Temp.	-20F -30°C				
High Potential Test (Volts)					
1 Minute	1650				
1 Second	2000				
Open Circuit Voltage Test (Volts)					
Open Circuit Voltage	275 - 335				
Input Current	min	1.5	0.9	0.7	0.7
	max	2.2	1.3	1.1	1.0
Short Circuit Current Test (Amps)					
Secondary Current	1.5 - 1.9				
Input Current	min	0.8	0.5	0.4	0.4
	max	2.2	0.8	0.7	0.6
Core and Coil Specifications					
Dimension A"	2.42				
Dimension B"	4.0				
Weight (lbs.)	7				
Lead Lengths (in)	12				
Capacitor Specifications					
Microfarads	10				
Volts (min.)	400				
Oval OIL Filled DRY Film					
Case Size (in.)	1.75 1.50				
Height (in.)	2.87 3.72				
Temp Rating °C	90 100				
Starter Specifications					
Model Number	Not used				
	BTL				
Temp Rating °C					

Wiring Diagram



Rev. Date: 9/15/2009

Test Ref.: Validation

Specifications subject to change without notice.

Howard Industries, Inc. Ballast Products Division P.O. Box 1590 Laurel, MS 39441
Phone: 1-800-956-3456 Fax: (601) 422-1652 www.howardlightingproducts.com