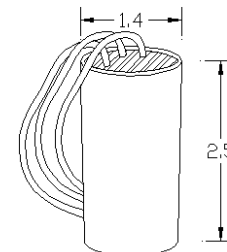
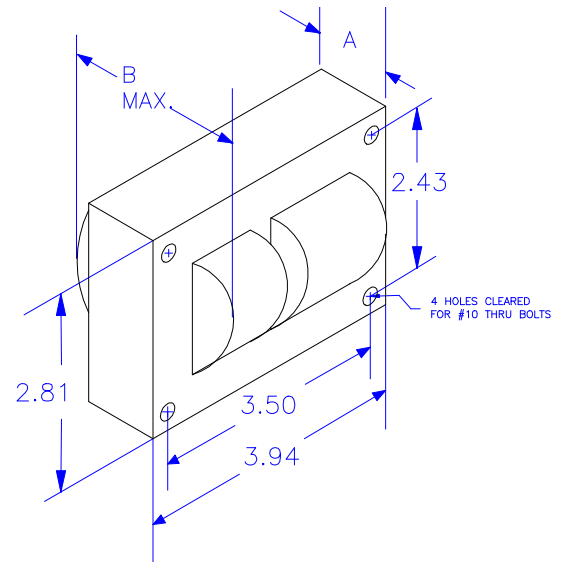
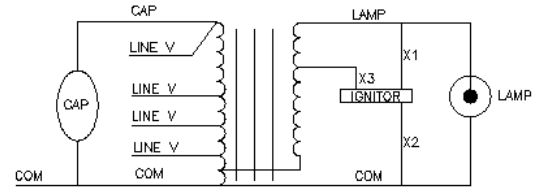




Input Volts		120	208	240	277
Circuit Type	HX-HPF				
Power Factor	.95				
Regulation					
Line Volts	± 5 %				
Lamp Watts	- 8 % + 9 %				
Line Current (Amps)					
Operating		1.59	0.92	0.79	0.67
Open Circuit		3.55	2.05	1.75	1.55
Starting		1.60	0.85	0.75	0.70
Recommended Fuse		10	5	5	4
UL Temperature Ratings					
Insulation Class	H (180°C)				
Coil Temperature Code	B	B	B	B	B
Benchtop Coil Rise Primary	< 80	< 80	< 80	< 80	< 80
Benchtop Coil Rise Secondary	< 80	< 80	< 80	< 80	< 80
Input Watts		183	184	184	184
NOM Open Circuit Volts	280				
Current Crest Factor	1.52				
Input Voltage at Lamp Dropout		80	130	150	180
Min Ambient Starting Temp.	-20F -30°C				
High Potential Test (Volts)					
1 Minute	1650				
1 Second	2000				
Open Circuit Voltage Test (Volts)					
Open Circuit Voltage	250 - 310				
Input Current	min	2.65	1.55	1.35	1.15
	max	4.45	2.55	2.20	1.95
Short Circuit Current Test (Amps)					
Secondary Current	2.05 - 2.55				
Input Current	min	1.25	0.70	0.60	0.55
	max	2.10	1.20	1.05	0.90
Core and Coil Specifications					
Dimension A"	2.3				
Dimension B"	3.75				
Weight (lbs.)	7				
Lead Lengths (in)	12				
Capacitor Specifications					
Microfarads	16				
Volts (min.)	280				
Oval OIL Filled DRY Film					
Case Size (in.)	1.25 1.5				
Height (in.)	3.13 3.23				
Temp Rating °C	90 100				
Starter Specifications					
Model Number	ST1001				
BTL	10				
Temp Rating °C	105				

Wiring Diagram



Starter Case Drawing

1090-912001-001

Rev. Date: 1/30/2009

Test Ref.: 20041203A

Specifications subject to change without notice.

Howard Industries, Inc. Ballast Products Division P.O. Box 1590 Laurel, MS 39441
Phone: 1-800-956-3456 Fax: (601) 422-1652 www.howard-ballast.com