

8/24/2012

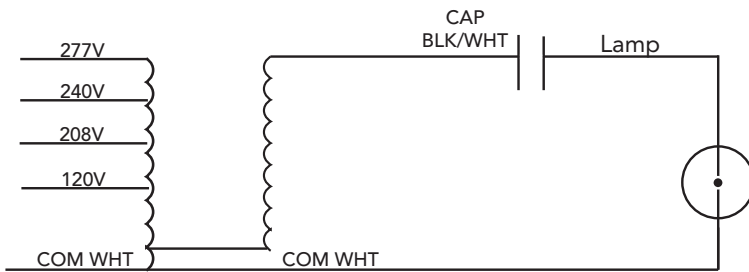
**175 Watt M57 60Hz  
Metal Halide**

Project:	
Catalog#:	
Approved by:	

Input Volts (60 hz)	120	208	240	277
Input Watts	215	215	215	215
Approx. Line Current (Amps)*	1.8	1.0	0.9	0.8
Circuit Type	CWA			
ANSI	M57			
Insulation Class	Class H			
Power Factor	> 90%			
Regulation	Line Volts: ±10% Lamp Watts: ±10%			
Min. Ambient Starting Temp.	-20°F/-30°C			
High Potential Test (Volts)	1 Minute: 1650 1 Second: 2000			
Lead Lengths (inches)	12			
UL Temperature Ratings*	1029D			
Capacitor	10.0/400V Min. Included in kit.			

\* See Ballast Label for exact values and additional information

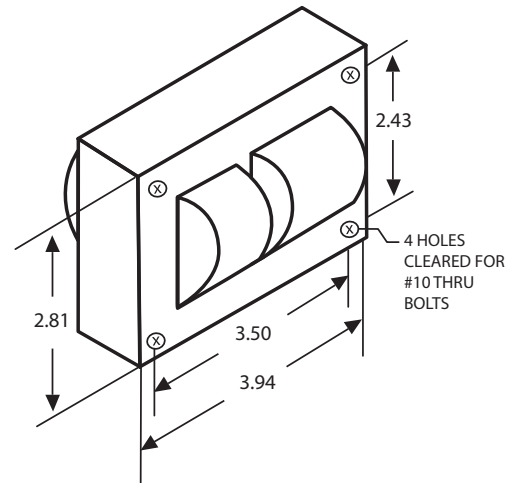
**WIRING DIAGRAM**



**HID Ballast Kit**

- Ballast
- Capacitor
- Mounting Bracket

**DIMENSIONAL DRAWING**



Specifications subject to change without notice.



High Intensity Discharge Ballasts