

7/21/2014

**2 Lamp  
Standard Ballast Factor  
Multi-volt**

Project:	
Catalog#:	
Approved by:	

Electronic Fluorescent Ballast

**T5 Programmed Rapid Start Series Lamp Operation**

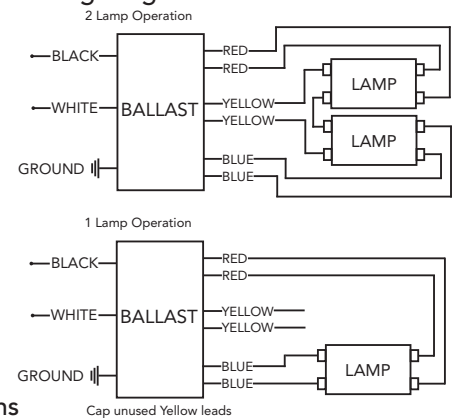
Lamp Type	No. Of Lamps	Lamp Watts	Line Voltage	Ballast Factor	Input Watts	Input Current (amps)	Power Factor	THD	Ballast Efficacy Factor
F54T5/HO*	2	54	120	1.00	120	1.00	0.99	<10%	0.83
	2	54	277	1.00	120	0.43	0.98	<10%	0.83
	1	54	120	1.01	61	0.51	0.99	<10%	1.65
	1	54	277	1.01	61	0.23	0.97	<12%	1.65
FC12T5/HO 55W	2	55	120	0.85	104	0.87	0.99	<10%	0.82
	2	55	277	0.85	104	0.39	0.98	<10%	0.82
	1	55	120	0.81	50	0.41	0.98	<12%	1.60
	1	55	277	0.81	50	0.19	0.96	<15%	1.60
FT55W/2G11	2	55	120	0.90	112	0.94	0.98	<10%	0.80
	2	55	277	0.90	109	0.41	0.98	<10%	0.83
	1	55	120	0.92	58	0.49	0.96	<15%	1.59
	1	55	277	0.92	58	0.22	0.96	<15%	1.59
FT50W/2G11	2	50	120	0.95	106	0.89	0.99	<10%	0.90
	2	50	277	0.95	106	0.39	0.98	<12%	0.90
	1	50	120	0.90	51	0.43	0.99	<10%	1.76
	1	50	277	0.90	51	0.19	0.96	<15%	1.76
FT36W/2G11	2	36	120	0.99	79	0.66	0.98	<10%	1.26
	2	36	277	0.99	79	0.29	0.97	<12%	1.26
	1	36	120	0.97	41	0.34	0.98	<10%	2.37
	1	36	277	0.97	41	0.16	0.95	<15%	2.37

\* Primary Lamp Design

**Ballast Specifications**

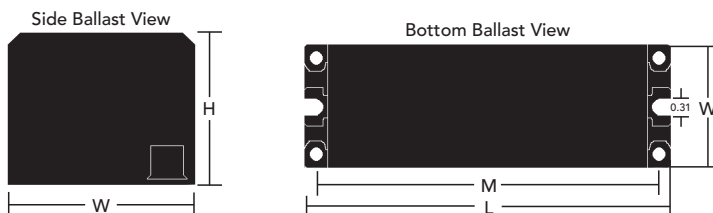
- Ballast shall have a five-year warranty
- Ballast shall be UL & cUL 935 Listed, & UL "HL" rated for hazardous locations
- Ballast shall meet RoHS compliance
- Ballast shall be sound rated Class A
- Ballast shall have a Lamp Current Crest Factor of <1.7
- Ballast shall meet ANSI Standards C62.41-1991
- Ballast shall comply with the limits of FCC Part 18 Class A (Non-consumer)
- Ballast shall have a lamp operating frequency greater than 42kHz
- Ballast shall have a -28.8°C minimum lamp starting temperature for primary lamp
- Ballast shall be Program Rapid Start Series Lamp Operation
- Ballast shall have minimum Power Factor of 98% for primary Lamp operation
- Ballast shall operate within +/- 10% of the ballast specified line voltage at 60 Hz
- Ballast shall have a maximum case hot spot temperature of 90 Celsius
- Ballast shall have Lamp end-of-life protection

**Wiring Diagram**



**Dimensions**

L: 9.45"  
W: 1.35"  
H: 1.06"  
M: 8.96"



• Specifications are subject to change without notice.

