

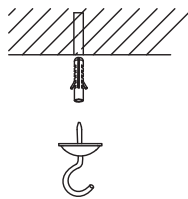
## Installation

Before beginning assembly, installation or operation of product, make sure all parts are present. If any part is missing or damaged, do not attempt to assemble, install or operate the product. Contact customer service for replacement parts.

Select suitable location that can support the weight of the fixture. Determine method of mounting before drilling. Mark two spots on the ceiling 45-7/8 in. apart for the mounting hardware .

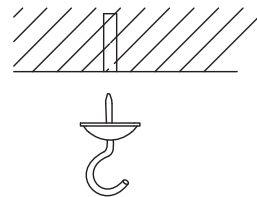
### 1 Mounting to drywall

- Drill a 1/4 in. hole in the ceiling to clear the closed flaps of the toggle bolt. Make sure to fasten the toggle bolt into the butterfly nut before inserting the flaps into the ceiling. Tighten the toggle bolt.



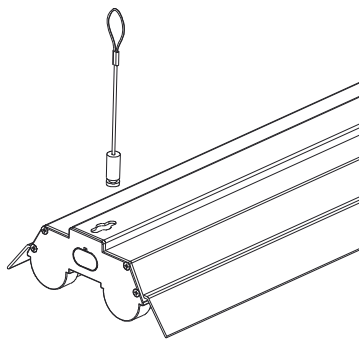
### 2 Mounting to wood

- Drill a 1/16 in. diameter pilot hole in the ceiling. Make sure to fasten the combo wood-machine end into the metal hook. Tighten the hook screw into the wood.



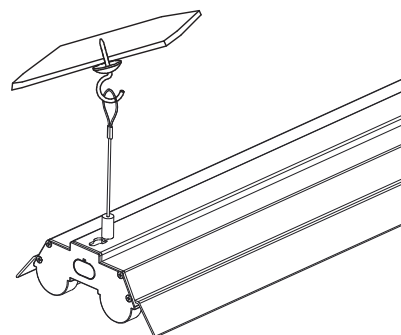
### 3 Attaching the light to the chain

- Install one header of chain to the hook on the fixture body. Repeat this step on the other side of the fixture.



### 4 Attaching the chain to the ceiling

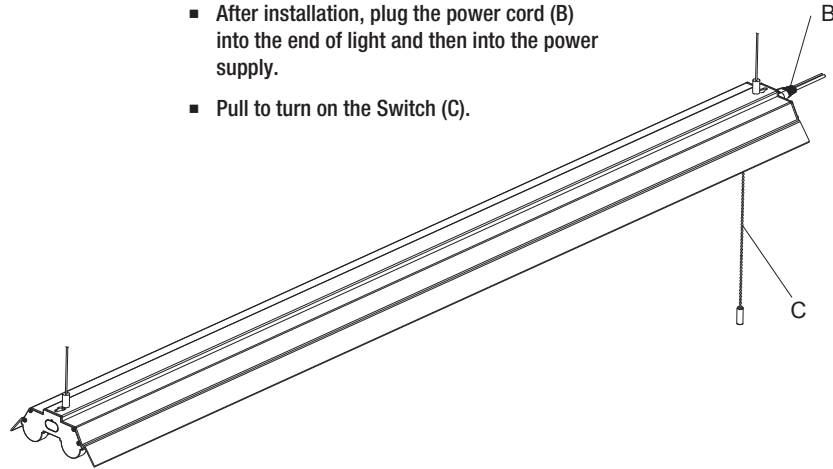
- Hang the fixture body by placing one chain set over each hook that has been installed on the ceiling. Adjust chains to level height. The fixture must hang at least 3 in. from the ceiling.



## Installation (continued)

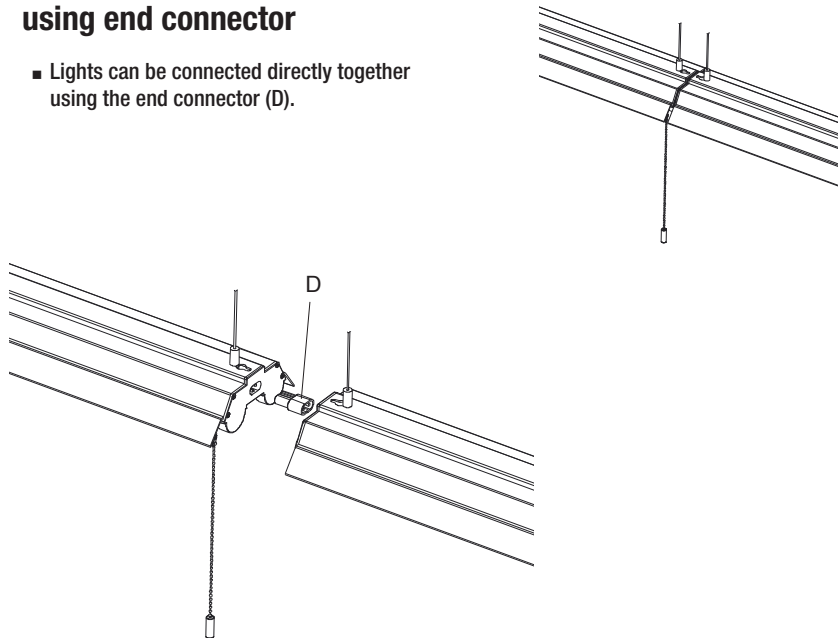
### 5 Connecting the power cord

- After installation, plug the power cord (B) into the end of light and then into the power supply.
- Pull to turn on the Switch (C).



### 6 Connecting lights in series using end connector

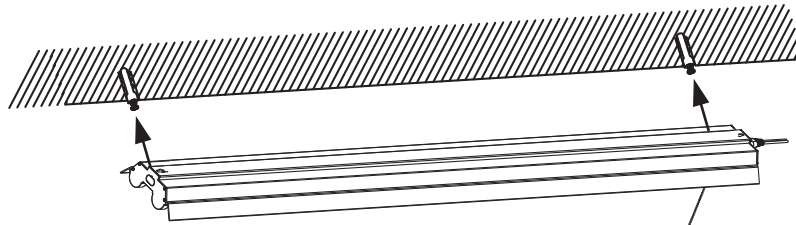
- Lights can be connected directly together using the end connector (D).



## Optional Surface Mounting

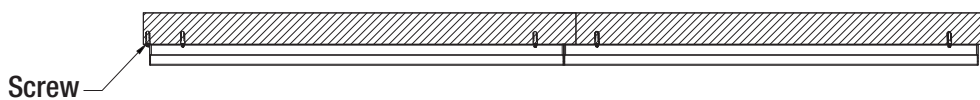
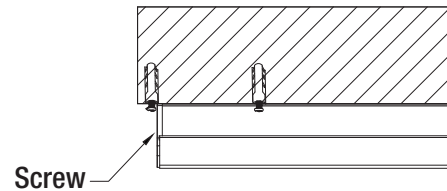
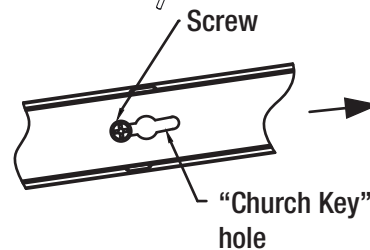
### 1 Securing fixture to ceiling

- Once the head of the screw is in beyond the opening gently slide the fixture to the right or left to secure it in place
- You may need to adjust the depth of both screws to get a tight fit



### 2 Locking the fixture to ceiling

- With each fixture installation, insert additional screw in ceiling opposite screw installed in Church Key hole. This will prevent the fixture from accidentally sliding off the screw mounting.



Please check with your local inspector to insure this mounting method meets local requirements.

## Care & Cleaning



**CAUTION:** Before attempting to clean the fixture, disconnect the power to the fixture by turning the breaker off or removing the fuse from the fuse box.

Your fixture is made from quality materials that will last many years with minimum care. You may want to periodically clean the diffuser, or interior of the fixture using a mild, non-abrasive glass cleaner and a soft cloth.

**DO NOT** use solvents, or cleaners containing abrasive agents. When cleaning the inside of the fixture, **make sure** you have the power turned off, and do not spray liquid cleaner directly onto the LEDs, LED driver or wiring.