

IMPORTANT:

Read all instructions carefully before attempting installation. If you do not understand these instructions, please consult your local distributor. Thoroughly inspect the fixture for any freight damage; freight damage should be reported to the delivery carrier.

⚠ WARNING:

Disconnect power during installation and before servicing.

Wear gloves to prevent cuts/abrasions from sharp edges when removing from carton, handling, and maintaining this fixture.

⚠ SAFETY:

This fixture must be wired in accordance with the National Electric Code and applicable local codes or ordinances. All work should be performed by a qualified electrician. To insure personal safety, proper grounding is required (connect green fixture lead to supply ground).

⚠ WARNING: Improper seating of lamps can create a fire hazard. Whether field or factory installed, ensure lamp position is correct before energizing fixture. See Diagrams 1 and 2.



Diagram 1-T8 lamp seating

The dimple on the lamp base is aligned with the slot in the lamp holder.



Diagram 2-T5 lamp seating

The flat surface of the lamp base is perpendicular to the slot in the lamp holder.

MOUNTING:

1. HFLP Series Fluorescent luminaires are designed for use with HI's wire & cable mounting kit HI-WCH. Please refer to the Mounting Accessory kit for detailed instructions.

WIRING CONNECTIONS: (Use only approved connectors for all electrical connections.)

1. HFLP Series fixtures use a removable reflector design for ballast / wiring compartment access. Remove the reflector retaining screw to allow reflector removal for ballast access. See Diagram 3.
2. Connect the black fixture wire to the black supply wire (line).
3. Connect the white fixture wire to the white supply wire (neutral).
4. Connect the supply ground wire to the green fixture wire (or GRD screw if provided).
5. Ballast Voltage: This fixture is typically provided with a multi-volt ballast (120-to-277v), but may have a single tap ballast (such as 120v only). Ensure that the supply voltage is correct for the ballast in this fixture.

REASSEMBLY / LAMP INSTALLATION:

1. Reinstall the reflector; carefully placing the reflector back into its original position insuring that no wiring is pinched. Install and tighten the reflector retaining screw. Remove protective film from reflector.
2. Install Fluorescent lamps. Insert each lamp into sockets and turn until the lamp 'snaps' into place. If lamp replacement is necessary, insure that the lamp is the same wattage and type as indicated on the ballast label.

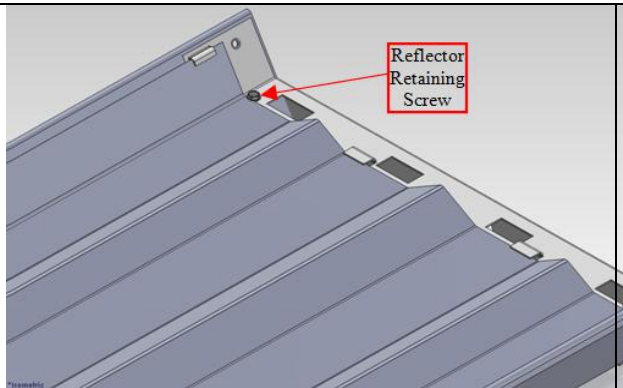


Diagram 3

TROUBLESHOOTING TIPS: If the fixture fails to operate properly, check the following:

- ✓ Verify the correct lamp type is used and properly installed.
- ✓ Verify the lamp is not defective (try known good lamp).
- ✓ Verify proper line voltage is present.
- ✓ Verify fixture wiring (refer to schematic printed on ballast label).
- ✓ Verify that the fixture is grounded.



WARNING: These procedures should only be performed by a qualified electrician. Supply power should be turned off when replacing components or checking connections. Never perform maintenance or cleaning while fixture is energized. Disconnect power and allow lamp to cool before replacing.

IMPORTANT:

Read all instructions carefully before attempting installation. If you do not understand these instructions, please consult your local distributor. Thoroughly inspect the fixture for any freight damage; freight damage should be reported to the delivery carrier.

⚠ WARNING:

Disconnect power during installation and before servicing.

Wear gloves to prevent cuts/abrasions from sharp edges when removing from carton, handling, and maintaining this fixture.

⚠ SAFETY:

This fixture must be wired in accordance with the National Electric Code and applicable local codes or ordinances. All work should be performed by a qualified electrician. To insure personal safety, proper grounding is required (connect green fixture lead to supply ground).

⚠ WARNING: Improper seating of lamps can create a fire hazard. Whether field or factory installed, ensure lamp position is correct before energizing fixture. See Diagrams 1 and 2.



Diagram 1-T8 lamp seating

The dimple on the lamp base is aligned with the slot in the lamp holder.



Diagram 2-T5 lamp seating

The flat surface of the lamp base is perpendicular to the slot in the lamp holder.

MOUNTING:

- HFLP Series Fluorescent luminaires are designed for use with HI's wire & cable mounting kit HI-WCH. Please refer to the Mounting Accessory kit for detailed instructions.

WIRING CONNECTIONS: (Use only approved connectors for all electrical connections.)

- HFLP Series fixtures use a removable reflector design for ballast / wiring compartment access. Remove both reflector retaining screws to allow reflector removal for ballast access. See Diagram 3.
- Connect the black fixture wire to the black supply wire (line).
- Connect the white fixture wire to the white supply wire (neutral).
- Connect the supply ground wire to the green fixture wire (or GRD screw if provided).
- Ballast Voltage: This fixture is typically provided with a multi-volt ballast (120-to-277v), but may have a single tap ballast (such as 120v only). Ensure that the supply voltage is correct for the ballast in this fixture.

REASSEMBLY / LAMP INSTALLATION:

- Reinstall the reflector; carefully placing the reflector back into its original position insuring that no wiring is pinched. Install and tighten the reflector retaining screw. Remove protective film from reflector.
- Install Fluorescent lamps. Insert each lamp into sockets and turn until the lamp 'snaps' into place. If lamp replacement is necessary, insure that the lamp is the same wattage and type as indicated on the ballast label.

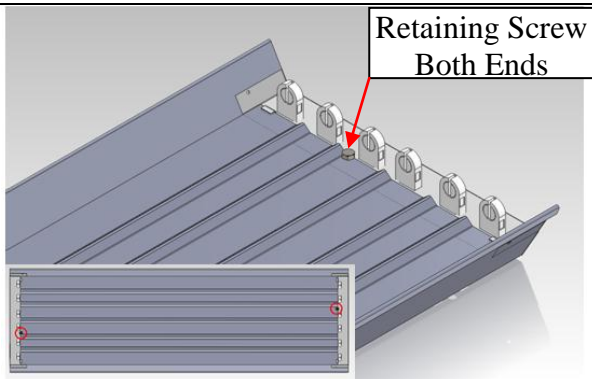


Diagram 3

TROUBLESHOOTING TIPS: If the fixture fails to operate properly, check the following:

- ✓ Verify the correct lamp type is used and properly installed.
- ✓ Verify the lamp is not defective (try known good lamp).
- ✓ Verify proper line voltage is present.
- ✓ Verify fixture wiring (refer to schematic printed on ballast label).
- ✓ Verify that the fixture is grounded.



WARNING: These procedures should only be performed by a qualified electrician. Supply power should be turned off when replacing components or checking connections. Never perform maintenance or cleaning while fixture is energized. Disconnect power and allow lamp to cool before replacing.