



HF-PKM1 INSTALLATION INSTRUCTION SHEET

HOWARDTM
LIGHTING PRODUCTS

IMPORTANT:

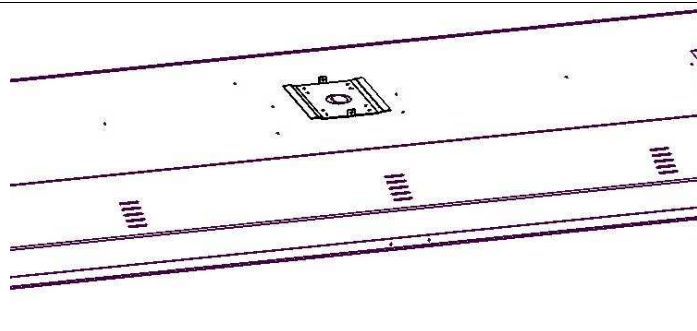
- Read all instructions carefully before attempting installation. If you do not understand these instructions, please consult your local distributor.
- Thoroughly inspect the fixture for any freight damage; freight damage should be reported to the delivery carrier.

WARNING:

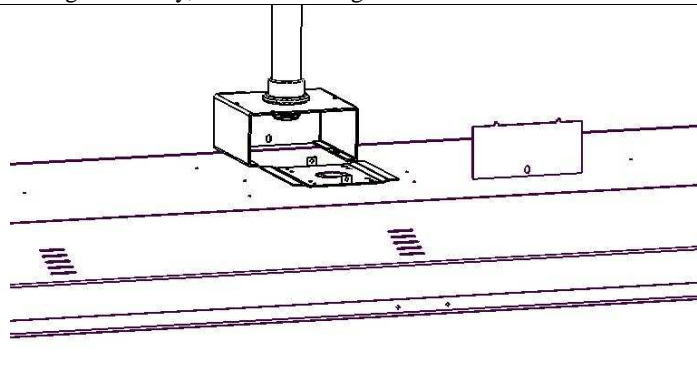
- Disconnect power during installation and before servicing.

SAFETY:

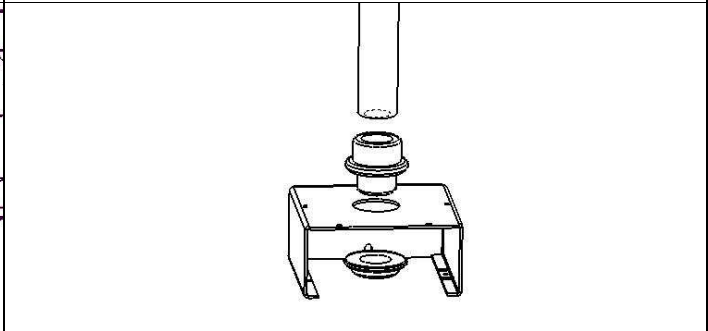
- This fixture must be wired in accordance with the National Electric Code and applicable local codes or ordinances.
- All work should be performed by a qualified electrician.
- To insure personal safety, proper grounding is required (connect green fixture lead to supply ground).



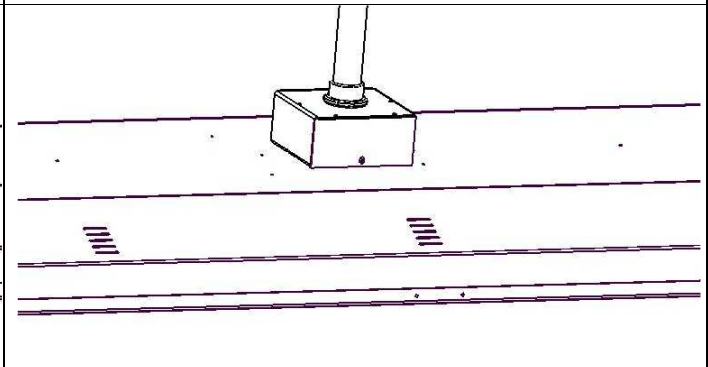
1) Attach Anchor Plate to fixture body using (8) #8 screws (provided). Insert screws from the inside of the fixture body, through the body, and then through the Anchor Plate.



3) Slide fixture into assembled pendant mount.



2) Thread conduit into Hub. Insert Hub through J-Box and secure into place with Nut.



4) Place end plate onto J-Box and secure J-Box to Anchor Plate with (2) #8 screws (provided). If additional leveling is required, purchase Stabilize Kit HF-SK1 (includes support cables and Stabilizer Hub Plate).